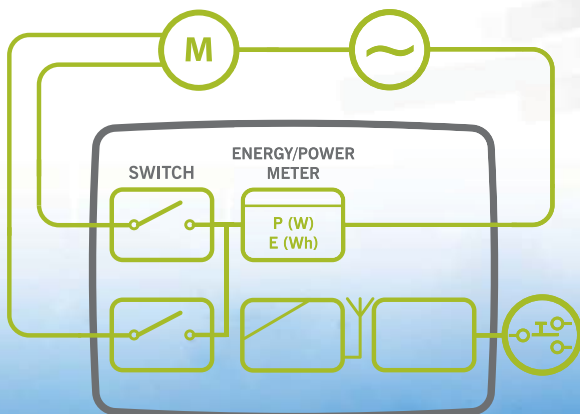
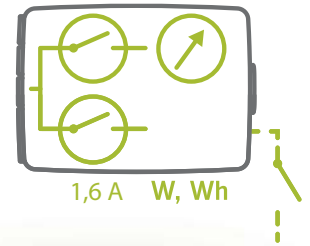


The Smart Mini Plug is a miniature wireless control for blinds, shutters and curtains. The device also includes energy and power metering, a range extender and an external switch input.

It fits in a standard wall mount and communicates via wireless RF. The Smart Mini Plug has the capability to handle heavy motor-loads up to 1.6A and has built-in protections.



permundo: the Smart Control company

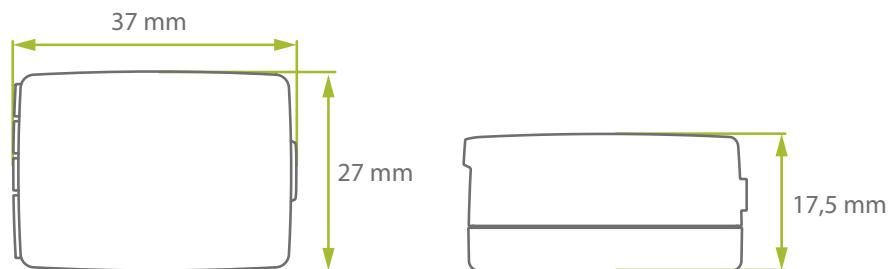
permundo components enable direct control and monitoring of electrical appliances in a home or office environment

Specifications

Electrical	230V, 50 Hz
Maximum load power	up to 350W motor
Power dissipation standby	< 0.5 W
Protection	over-temperature, average-overload
Measurement	power [W], energy [Wh] stored at powerfail
Wireless communication	EnOcean-Dolphin standard (Repeating level 1 and level 2 configurable) Z-Wave+ (Repeating supported)
Firmware update	supported



Dimensions

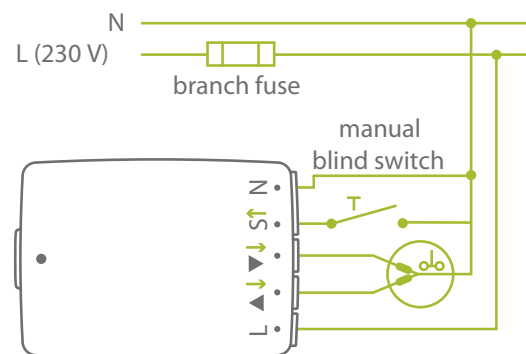


Functionality

- 2 modes: standard blind with slat adjust / standard shutter without slat adjust
- direct position control
- input for standard rocker-button
- measurement of
 - energy consumption ([Wh], stored at powerfail),
 - real power ([W], interval 1 s)

Installation

The PSC152 can be mounted inside the wall socket behind a switch or light fixture.



Safety and reliability

Automatic shut-off at over-temperature

Automatic shut-off at average overload

Near-to-zero voltage/current switching of relay

